

10K CAST STAINLESS STEEL BALL VALVE FLANGED ENDS

KITZ Fig: 10UTDZ

Sizes: 2 1/2-inch(65-mm)

Standards

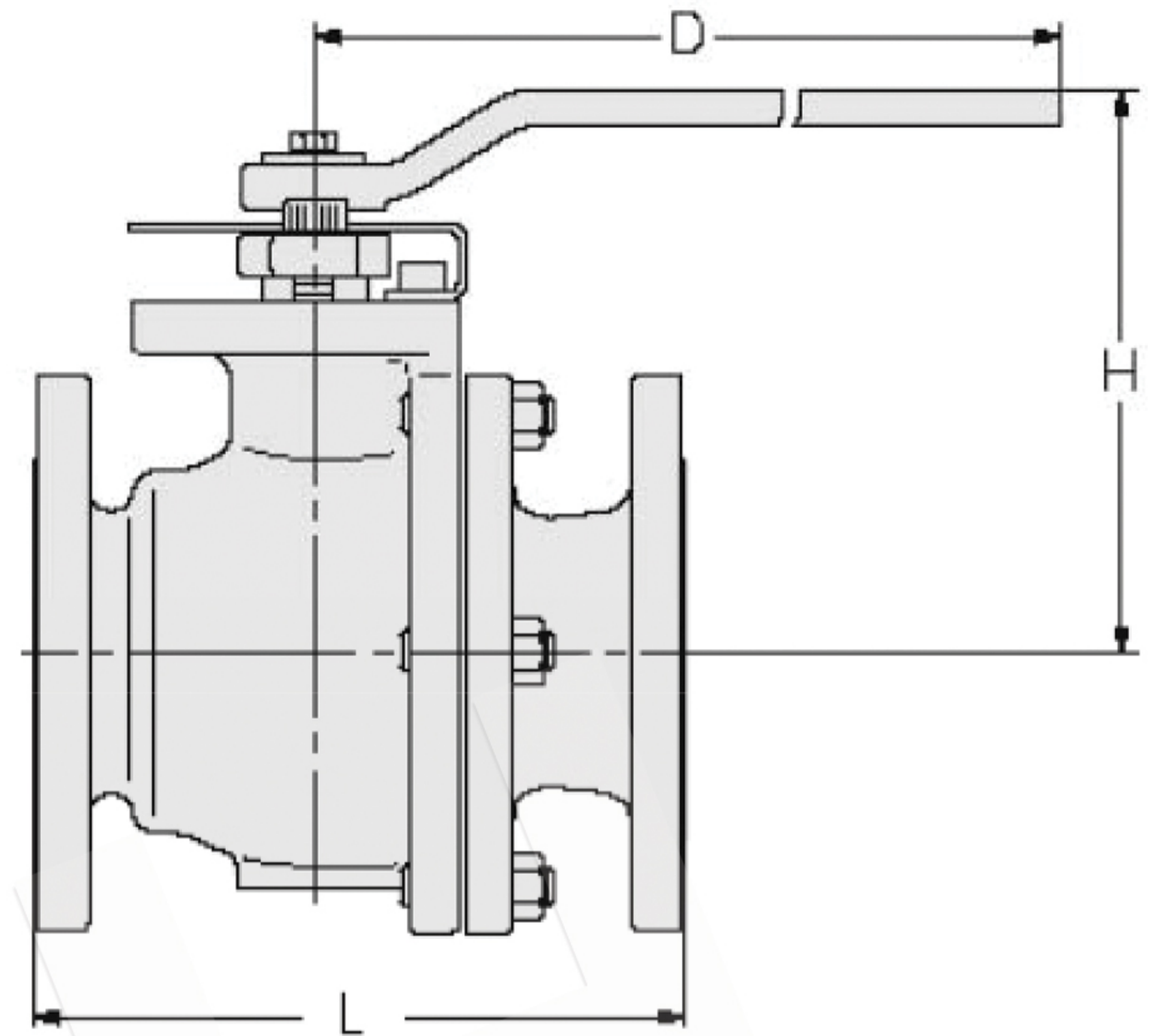
- . End to End: ASME B16.10 CLASS 150
- . End Connection: JIS B2220 10K
- . Wall Thickness: ASME B16.34 CLASS 150

Test Standard

- . KITZ STANDARD

Approvals

65-200 mm (2 1/2-8 inch)
approved



Dimensions

SIZE(inch/mm)	L	L1	H	D1	Kg
2 1/2 65	190.0		179.0	400.0	
3 80	203.0		188.0	400.0	
4 100	229.0		224.0	460.0	
5 125	356.0		240.0	460.0	
6 150	394.0		314.0	1000.0	
8 200	457.0		406.0	1500.0	

Specifications

10K CAST STAINLESS STEEL BALL VALVE FLANGED ENDS
IS05211

End to End : ASME B16.10 CLASS 150, End Connection : JIS B2220
10K, Wall Thickness : ASME B16.34 CLASS 150, Test Standard : KITZ
STANDARD, Sizes : 2 1/2-inch(65-mm), Approvals :
65-200 mm (2 1/2-8 inch), ,KITZ Fig : 10UTDZ